

IPC191V5

Gateway hardware with Linux OS

General Operating-, Maintenance- and Installation Manual



IPCOMM GmbH

Walter-Bouhon-Straße 4
90427 Nuremberg
Germany

Phone: +49 911 18 07 91-0
Fax: +49 911 18 07 91-10
Web: <https://www.ipcomm.de>
Email: info@ipcomm.de

Edition November 2023
Version 1.2

MADE IN GERMANY



Table of Contents

1	Introduction	2
2	Hardware Description	3
2.1	General	3
2.2	Front View	3
2.3	Rear View	4
2.4	Hardware Components.....	5
2.4.1	Mainboard.....	5
2.4.2	RS-232 Interfaces.....	5
2.4.3	8/16-Port RS-232 Serial Interface	6
2.4.4	Protecting RS-232 Interfaces according to IEC 61850-3 / EN 61850	6
2.4.5	Ethernet Interfaces	7
2.4.6	CFast Memory Card	7
2.4.7	Lithium Battery	8
2.4.8	CPU LED	9
2.4.9	Power Supply.....	10
2.4.9.1	AC Power Supply.....	10
2.4.9.2	DC Power Supply	10
3	Overview of Variants / Interface Configuration	11
3.1	Variant L	11
3.2	Variant A	11
3.3	Variant B.....	12
3.4	Variant E4.....	13
4	Technical Data Sheet	13
5	EU Declaration of Conformity	13
6	Nomenclature of the IPC191V5 Article Number.....	14
7	Dimensions IPC191V5 (CAD)	15

1 Introduction

All technical information, descriptions and illustrations contained in this 'Operating, Maintenance and Installation Manual' remain our property and shall not be used otherwise than for operating this system, nor shall they be copied, reproduced or passed on to third parties or brought to their notice without our prior written consent.

The information represented in this manual is in keeping with current standards and is subject to later alterations.

This manual contains important instructions referring to safe installation, commissioning, operation and maintenance.

Read this manual carefully before starting up the gateway and observe the instructions.

In order to comply with the guidelines for electro-magnetic compatibility in industrial PCs (or other variants) only CE-certified components are used in compliance with project-specific requirements.

Finally we want to draw your attention to the fact that any warranties with respect to the gateway hardware will be invalid in the event that:

- Operation, servicing and maintenance are not carried out accurately according to the instructions; repairs are not carried out by our personnel or without our prior written consent.
- Commissioning is not carried out by our personnel or we have not given our approval for the commissioning or the commissioning is carried out by untrained personnel.
- The unit is used inadequately, incorrectly, negligently or inappropriately or for a purpose other than that originally intended.
- The serial number is removed from the product.

For your protection, observe the following safety precautions when setting up your equipment:

- Follow all cautions and instructions marked on the equipment.
- Ensure that the voltage and frequency of your power source match the voltage and frequency inscribed on the equipment's electrical rating label.
- Never push objects of any kind through openings in the equipment. Dangerous voltages may be present. Conductive foreign objects could produce a short circuit that could cause fire, electric shock, or damage to your equipment.
- The industrial PC must be mounted on an equipment carrier (1U) in a 19" rack. A free floating or unilateral mounting may cause defects.
- It is imperative to ensure a consequent strain relief to avoid damage to the connector of the '8-port DB9-male connector cable'.

All trademarks or brand marks mentioned in this document are used for identification purposes only and are property of their respective owners.

2 Hardware Description

2.1 General

As hardware platform for the protocol converter a 19" industrial PC is used. This solution offers a high degree of flexibility, performance and reliability.

Important for the selection of our components are particular items like quality, availability and a high durability.

Mounting and intensive tests of the gateway hardware are done in our company. Each device runs through an intensive function test. This function test includes a burn-in test with full communication of all interfaces (min. 48 hours). Drops of communication, transmission errors and every important component with regard to function, temperature, voltages etc. are monitored. Hundreds of restarts are executed whereby a connection to all interfaces is established at each reboot.

Quality assurance is done according to the four-eye principle. Each device passes a number of quality inspections.

2.2 Front View

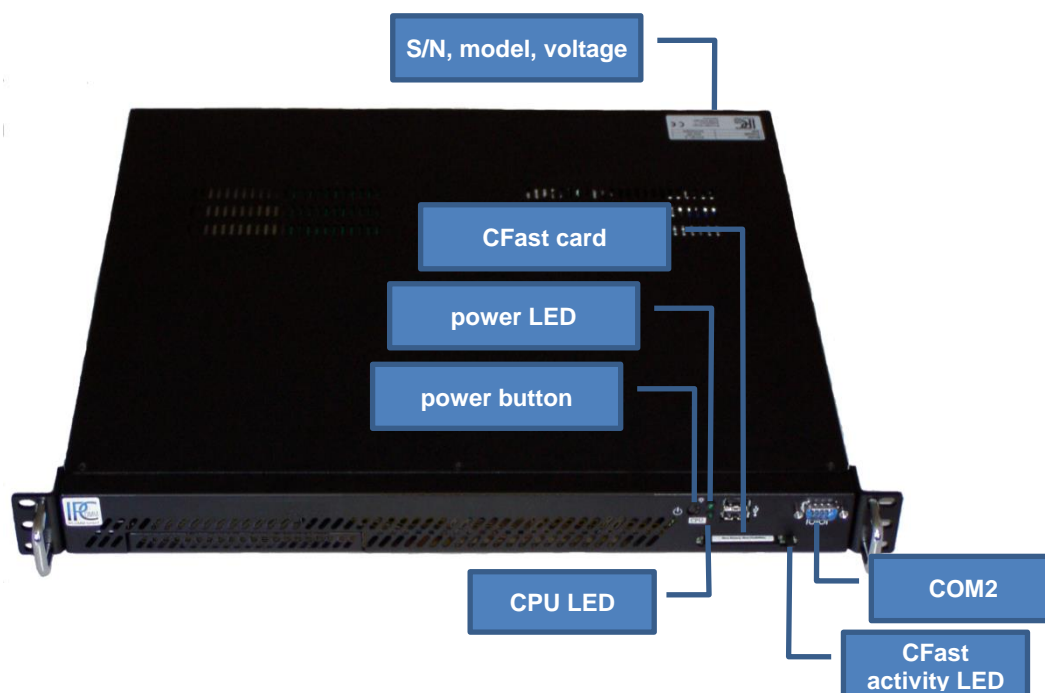


Figure 1: IPC191V5 front view

2.3 Rear View

Figure 2 shows the reverse side of the device. The PCIe card varies depending on the model. An overview of the different models can be found in chapter 3 “Overview of Variants / Interface Configuration”.

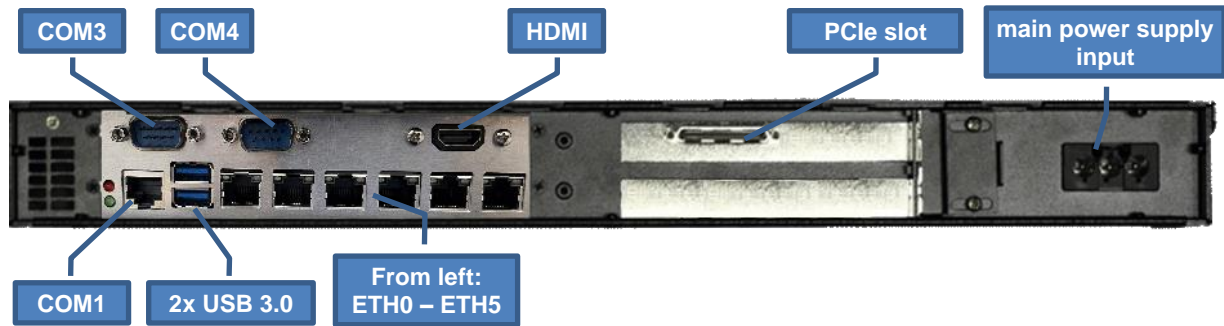


Figure 2: interfaces overview

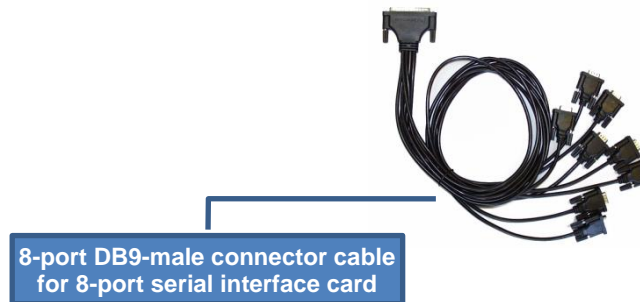


Figure 3: 8-port DB9 male connector cable for 8-port serial interface card

Attention! It is imperative to ensure a consequent strain relief to avoid damage to the connector, see figure above!

2.4 Hardware Components

The IPC191V5 consists of a 19" housing (1U) with industrial motherboard, and integrated network interfaces, and all other required interfaces. The basic system can be expanded with appropriate PCIe plug-in cards.

All components are cooled passively. Only if critical system temperatures are reached, two independent housing fans are switch on automatically.

2.4.1 Mainboard

The Mini-ITX Mainboard is an ultra-compact x86 platform. Its heart consists of a passively cooled Intel® quad-core processor. The mainboard provides one DIMM slots for DDR3L memory module and supports up to 8 GB system memory. Six Ethernet and four serial interfaces are also available. The gateway can be expanded with a PCI Express card.

Additional interfaces:

- 6x Ethernet interface 10/100/1000 Mbps BaseT (RJ45)
- 4x RS-232 (3x DB9 male; 1x RJ45)
- 1x SATA
- USB 2.0 and USB 3.0 ports
- 1x PCIe x1
- HDMI
- Keyboard and mouse via USB

2.4.2 RS-232 Interfaces

The installed mainboard provides four integrated serial interfaces.

COM 2 front side and COM3, COM4 rear side

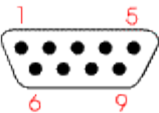
SERIAL PORT RS232 DTE DB9 male connector	Pin	Direction	Description
		1	INPUT
2		INPUT	RXD Receive Data
3		OUTPUT	TXD Transmit Data
4		OUTPUT	DTR Data Terminal Ready
5			GND Ground
6		INPUT	DSR Data Set Ready
7		OUTPUT	RTS Request To Send
8		INPUT	CTS Clear To Send
9		INPUT	RI Ring Indicator

Figure 4: pin assignment of DB9 DTE RS-232 interfaces

COM 1 rear side

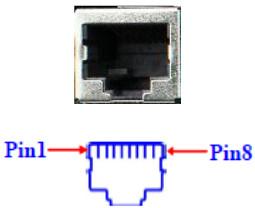
SERIAL PORT RS232 DTE RJ-45 Port		Pin	Richtung	Beschreibung
		1	AUSGANG	RTS Request To Send
		2	AUSGANG	DTR Data Terminal Ready
		3	AUSGANG	TXD Transmit Data
		4		GND Ground
		5		n/c
		6	EINGANG	RXD Receive Data
		7	EINGANG	DSR Data Set Ready
		8	EINGANG	CTS Clear To Send

Figure 5: pin assignment of RJ-45 RS-232 interface

2.4.3 8/16-Port RS-232 Serial Interface

Depending on the model each IPC191V5 can be equipped with one 8 or 16-port serial interface cards. The following pin assignment is realized with an 8-port DB9 male connector cable (see Figure 3).

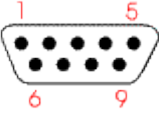
SERIAL PORT RS232 DTE DB9 male connector		Pin	Direction	Description
		1	INPUT	DCD Data Carrier Detect
		2	INPUT	RXD Receive Data
		3	OUTPUT	TXD Transmit Data
		4	OUTPUT	DTR Data Terminal Ready
		5		GND Ground
		6	INPUT	DSR Data Set Ready
		7	OUTPUT	RTS Request To Send
		8	INPUT	CTS Clear To Send
		9		

Figure 6: pin assignment of DB9 serial interface

2.4.4 Protecting RS-232 Interfaces according to IEC 61850-3 / EN 61850

For the adequate protection against the impact of switching interferences (Burst) and surge voltage, we recommend the use of our 4 kV isolated RS-232 isolator. The used RS-232 transceivers have ESD protection up to 15 kV. The isolator was tested according to EMC guidelines, climatic and mechanical requirements in compliance with the standard IEC 61850-3.

2.4.5 Ethernet Interfaces

The industrial PC features six 10/100/1000 Mbps BaseT (RJ45) interfaces with link and activity LED.



Figure 7: RJ45 network interface

Additional interfaces with 10/100/1000 Mbps BaseT can be realized on request. The IPC191V5 can be equipped with up to 10 Ethernet interfaces.

2.4.6 CFast Memory Card

The CFast card serves as a mass storage device, i.e. for storing the operating system, the applications and configuration data. As a result the disadvantages involved with the use of a rotating hard disk are avoided, thus improving the reliability of the system substantially since a CFast has an MTBF of at least 4,000,000 hours.

The CFast adapter is simply connected to the SATA bus of the mainboard and treated just like a hard disk.

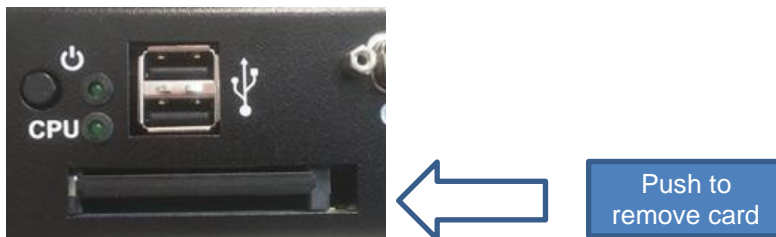


Figure 8: CFast adapter

When the power supply is switched off, the CFast card containing the entire software can easily be removed or inserted, enabling a quick exchange of the medium.

Attention! The CFast memory card must not be removed during operation.

2.4.7 Lithium Battery

The BIOS settings of the system are stored on a battery-backed CMOS. The long-life lithium battery has normally a lifetime of at least 5 years.

If the CMOS battery is empty and the CMOS information has been deleted, the CMOS-RAM is programmed by the BIOS with default settings.

The converter can be operated faultlessly even if the CMOS RAM is not provided by the battery. After the battery has been changed only time and date must be input.

To open the housing, loosen 6 screws from the top cover using a T10 size Torx screwdriver.

Attention! Open-frame power supplies are used. Because of this, the process should be carried out only by experienced electronic engineers.

- The device must be completely disconnected from any power supply.
- Before opening please push the power button (without electricity supply) several times to eliminate residual voltages of the power supply.

When replacing the battery, charge transfers to the circuit board and components must be avoided and ESD protection measures, such as the use of a grounding wrist strap, are therefore required. The operation may only be performed on a grounded and conductive surface.

The battery holder is soldered in the mainboard and well visible.



Figure 9: battery

Attention!

- Battery replacement must be carried out by qualified specialists.
- Replace the battery exclusively by the same type **(Manganese Dioxide Lithium Button Cell 3 V DC, CR2032)**.
- The battery is not rechargeable.
- When replacing, pay attention to the polarity of the battery.
- Batteries must not be disposed of with household waste or incinerated. At the end of its service life, the battery must be taken to a collection point for the recycling of electrical and electronic equipment in accordance with the ElektroG or the EU RoHS directive.
- There is a risk of explosion if the battery is handled improperly!

2.4.8 CPU LED

The CPU LED shows the states of conversion software and operating system. Following figure shows all possible indications:

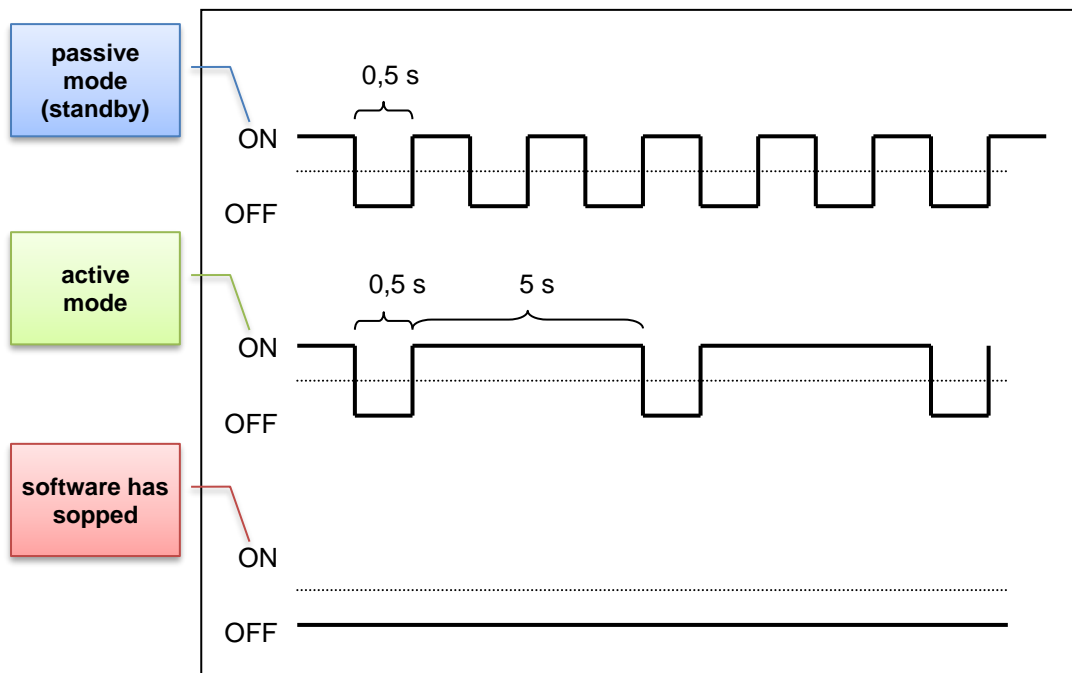


Figure 10: CPU LED indications

2.4.9 Power Supply

Power supplies with different input voltages can be used in the IPC191V5. Please pay attention to the correct polarity and input voltage. The input voltage of the respective device is labeled on top of the housing (see Figure 1).

- The standard power supply is 115 / 230 V AC (90 - 264 V AC)
- Power supply 12 / 24 V DC (9 - 32 V DC)
- Power supply 48 / 60 / 110 V DC (30 - 120 V DC)
- Other voltages on request

Attention! Please check the silver product label to verify the correct input voltage before operating the unit.

2.4.9.1 AC Power Supply

By using AC voltages a specific power supply cable (see figure below) is supplied. Please use this cable exclusively:



Figure 11: power cable

2.4.9.2 DC Power Supply

By using DC voltages only a male connector is supplied. This connector has to be used. By connecting the cable with the male connector the correct polarity must be kept. The wire cross-section must be at least 1.5 mm².

Attention! Please observe the yellow instruction label for the correct connection of the DC voltage supply.



Figure 12: DC voltage connection at the power supply

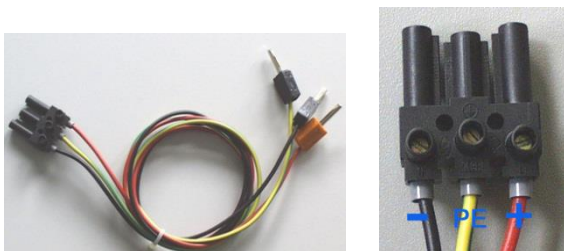


Figure 13: DC power cable (example - not included in the scope of delivery)

3 Overview of Variants / Interface Configuration

The following tables represent the configuration of the individual interfaces of miscellaneous variants.

3.1 Variant L

The device variant L corresponds to the part number HP.V5L.xyz0-0.x (see nomenclature).

Assembly	Linux Device	I/O port	IRQ	Label	Connector
Mainboard	ttyS0	3F8	4	COM1 (Chassis rear)	RJ45
	ttyS1	2F8	3	COM2 (Chassis front)	DB9ST
	ttyS2	3E8	10	COM3 (Chassis front)	DB9ST
	ttyS3	2E8	10	COM4 (Chassis front)	DB9ST
	eth0	PCIe (Onboard)	Auto	ETH0	RJ45
	eth1	PCIe (Onboard)	Auto	ETH1	RJ45
	eth2	PCIe (Onboard)	Auto	ETH2	RJ45
	eth3	PCIe (Onboard)	Auto	ETH3	RJ45
	eth4	PCIe (Onboard)	Auto	ETH4	RJ45
	eth5	PCIe (Onboard)	Auto	ETH5	RJ45

Table 1: variant L

3.2 Variant A

The device variant A corresponds to the part number HP.V5L.xyz0-1.x (see nomenclature).

Assembly	Linux Device	I/O port	IRQ	Label	Connector
Mainboard	ttyS0	3F8	4	COM1 (Chassis rear)	RJ45
	ttyS1	2F8	3	COM2 (Chassis front)	DB9ST
	ttyS2	3E8	10	COM3 (Chassis front)	DB9ST
	ttyS3	2E8	10	COM4 (Chassis front)	DB9ST
	eth0	PCIe (Onboard)	Auto	ETH0	RJ45
	eth1	PCIe (Onboard)	Auto	ETH1	RJ45
	eth2	PCIe (Onboard)	Auto	ETH2	RJ45
	eth3	PCIe (Onboard)	Auto	ETH3	RJ45
	eth4	PCIe (Onboard)	Auto	ETH4	RJ45
	eth5	PCIe (Onboard)	Auto	ETH5	RJ45
UART Adapter 8x RS232	ttyS4	PCIe (Slot above)	Auto	COM5	DB9ST
	ttyS5	PCIe (Slot above)	Auto	COM6	DB9ST
	ttyS6	PCIe (Slot above)	Auto	COM7	DB9ST
	ttyS7	PCIe (Slot above)	Auto	COM8	DB9ST
	ttyS8	PCIe (Slot above)	Auto	COM9	DB9ST
	ttyS9	PCIe (Slot above)	Auto	COM10	DB9ST
	ttyS10	PCIe (Slot above)	Auto	COM11	DB9ST
	ttyS11	PCIe (Slot above)	Auto	COM12	DB9ST

Table 2: variant A

3.3 Variant B

The device variant B corresponds to the part number HP.V5L.xyz0-9.x (see nomenclature).

Assembly	Linux Device	I/O port	IRQ	Label	Connector	
Mainboard	ttyS0	3F8	4	COM1 (Chassis rear)	RJ45	
	ttyS1	2F8	3	COM2 (Chassis front)	DB9ST	
	ttyS2	3E8	10	COM3 (Chassis front)	DB9ST	
	ttyS3	2E8	10	COM4 (Chassis front)	DB9ST	
	eth0	PCIe (Onboard)	Auto	ETH0	RJ45	
	eth1	PCIe (Onboard)	Auto	ETH1	RJ45	
	eth2	PCIe (Onboard)	Auto	ETH2	RJ45	
	eth3	PCIe (Onboard)	Auto	ETH3	RJ45	
	eth4	PCIe (Onboard)	Auto	ETH4	RJ45	
	eth5	PCIe (Onboard)	Auto	ETH5	RJ45	
	UART Adapter 16x RS232	ttyS4	PCIe (Slot above)	Auto	COM5	DB9ST
		ttyS5	PCIe (Slot above)	Auto	COM6	DB9ST
		ttyS6	PCIe (Slot above)	Auto	COM7	DB9ST
ttyS7		PCIe (Slot above)	Auto	COM8	DB9ST	
ttyS8		PCIe (Slot above)	Auto	COM9	DB9ST	
ttyS9		PCIe (Slot above)	Auto	COM10	DB9ST	
ttyS10		PCIe (Slot above)	Auto	COM11	DB9ST	
ttyS11		PCIe (Slot above)	Auto	COM12	DB9ST	
ttyS12		PCIe (Slot above)	Auto	COM13	DB9ST	
ttyS13		PCIe (Slot above)	Auto	COM14	DB9ST	
ttyS14		PCIe (Slot above)	Auto	COM15	DB9ST	
ttyS15		PCIe (Slot above)	Auto	COM16	DB9ST	
ttyS16		PCIe (Slot above)	Auto	COM17	DB9ST	
ttyS17		PCIe (Slot above)	Auto	COM18	DB9ST	
ttyS18		PCIe (Slot above)	Auto	COM19	DB9ST	
ttyS19		PCIe (Slot above)	Auto	COM20	DB9ST	

Table 3: variant B

3.4 Variant E4

The device variant E4 corresponds to the part number HP.V5L.xyz0-2.x (see nomenclature).

Assembly	Linux Device	I/O port	IRQ	Label	Connector
Mainboard	ttyS0	3F8	4	COM1 (Chassis rear)	RJ45
	ttyS1	2F8	3	COM2 (Chassis front)	DB9ST
	ttyS2	3E8	10	COM3 (Chassis front)	DB9ST
	ttyS3	2E8	10	COM4 (Chassis front)	DB9ST
	eth0	PCIe (Onboard)	Auto	ETH0	RJ45
	eth1	PCIe (Onboard)	Auto	ETH1	RJ45
	eth2	PCIe (Onboard)	Auto	ETH2	RJ45
	eth3	PCIe (Onboard)	Auto	ETH3	RJ45
	eth4	PCIe (Onboard)	Auto	ETH4	RJ45
	eth5	PCIe (Onboard)	Auto	ETH5	RJ45
Ethernet Adapter 4x	eth6	PCIe (Slot above)	Auto	ETH6	RJ45
	eth7	PCIe (Slot above)	Auto	ETH7	RJ45
	eth8	PCIe (Slot above)	Auto	ETH8	RJ45
	eth9	PCIe (Slot above)	Auto	ETH9	RJ45

Table 4: variant E4

4 Technical Data Sheet

A technical data sheet for the individual hardware models is available separately to this document. In addition to pure technical data, the document also contains information on approval and applied standards (EMC). A current version of these can be found on our website under Hardware / IPC191V5 / Documentation:

- IPC191V5 <https://www.ipcomm.de/hardware/IPC191V5/en/sheet.html>

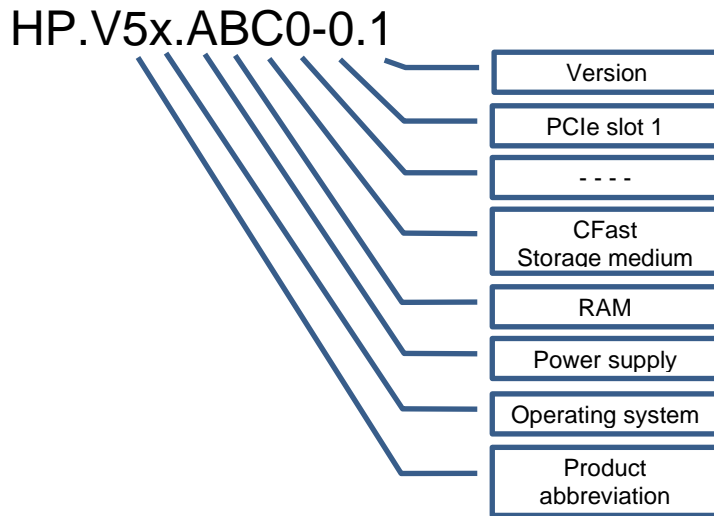
5 EU Declaration of Conformity

An EU Declaration of Conformity for the individual hardware models is available separately to this document. A current version of these can be found on our website under Hardware / IPC191V5 / Documentation:

- IPC191V5 <https://www.ipcomm.de/hardware/IPC191V5/en/sheet.html>

6 Nomenclature of the IPC191V5 Article Number

The IPC191V5 article number gives information about the equipment of the gateway.



Product Abbreviation

Value	Description
V5	IPC191V5

Power Supply

Value	Description
A	115 / 230 V AC (approx. 85 – 265 V AC)
B	12 / 24 V DC (approx. 9 – 32 V DC)
C	48 / 60 / 110 V DC (approx. 30 – 120 V DC)

CFast / Storage Medium

Value	Description
F	4 GB
G	8 GB
H	16 GB
I	32 GB
J	64 GB
S	Special model (e.g. CFast 4GB & SSD ~ 250GB)

Operating System

Value	Description
L	LINUX
S	Special model

RAM

Value	Description
I	8 GB

PCI Slot 1

Value	Description
0	Not equipped
1	8port RS-232 interface card
2	Ethernet 4port
9	16port RS-232 interface card

7 Dimensions IPC191V5 (CAD)

